

# Floren.be™

 **MICHELMERSH**  
Britain's Brick Specialists



ISSUE 1

REFLECTIONS  
COLLECTION

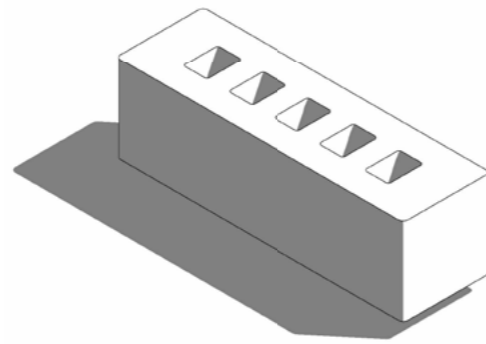


Floren.be™

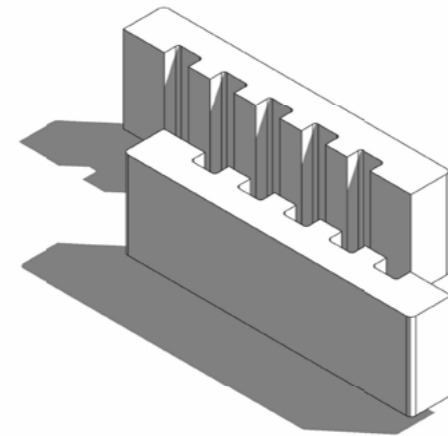


AVORIO  
\*Other sizes available: Traditional, RV, M65, WDF

Michelmersh's Reflections collection includes seven double-faced clay bricks, offering a sustainable solution for pre-fabrication systems and off-site manufacturing. Each brick unit creates two cut slips, utilising the equally beautiful, reflected face on the reverse side to ensure no product mass is wasted.



BRUNELLO  
\*Other sizes available: Traditional, RV, M50, M65, WF, WDF



Ready to be cut down the middle, producing two slips from one brick, the large perforations provide a deep keyed surface for fixing to a variety of pre-fabrication facade systems.

	Dimensional tolerance	Dimensional range	Durability against freeze/thaw	Active soluble salts content	Gross dry density	Compressive strength (minimum)	Water absorption	Thermal conductivity	Dimensions (in mm)
REFLECTIONS COLLECTION	T2	R2	F2	S2	1700 kg/m <sup>3</sup>	40 N/mm <sup>2</sup>	Less than 10%	0.55 (50%) W/m.K 0.63 (90%) W/m.K	215 x 65 x 65



AVORIO  
BELLE VUE, LONDON





BRUNELLO  
VALETTE SQUARE, MANCHESTER



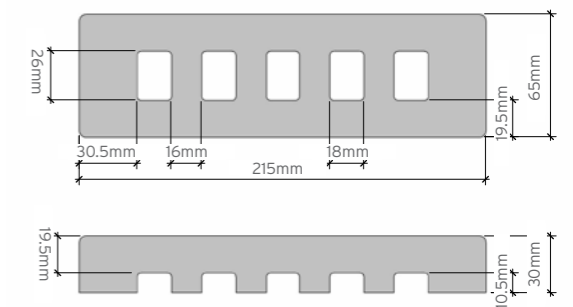
CHIANTI  
\*Other sizes available: Traditional, RV, M65, WDF



LUCCA  
\*Other sizes available: Traditional, M65, WF, WDF

Floren.be is a highly reputable, innovative brand recognised by designers and housebuilders throughout Europe and the UK. Its commitment to sustainability extends to using production methods with a low environmental impact.

The Reflections collection with its rustic texture and rounded edge appearance is also available in a variety of sizes. This versatile product can be seen on commercial, residential and public buildings throughout the UK and Europe. Manufactured in Belgium and competitively priced, it is a versatile, sustainable option promoting modern methods of construction.



This drawing displays indicative dimensions

The 'reflections' range showcases rich and warm hues to match the surrounding architectural vernacular, whilst retaining a timeless appeal. The aged and rustic appearance of the brick is achieved by a particular process to ensure that every brick face is unique.

	Dimensional tolerance	Dimensional range	Durability against freeze/thaw	Active soluble salts content	Gross dry density	Compressive strength (minimum)	Water absorption	Thermal conductivity	Dimensions (in mm)
REFLECTIONS COLLECTION	T2	R2	F2	S2	1700 kg/m <sup>3</sup>	40 N/mm <sup>2</sup>	Less than 10%	0.55 (50%) W/m.K 0.63 (90%) W/m.K	215 x 65 x 65



# Floren.be™



PIERRA

\*Other sizes available: Traditional, RV, M65, WDF

# FabSpeed™

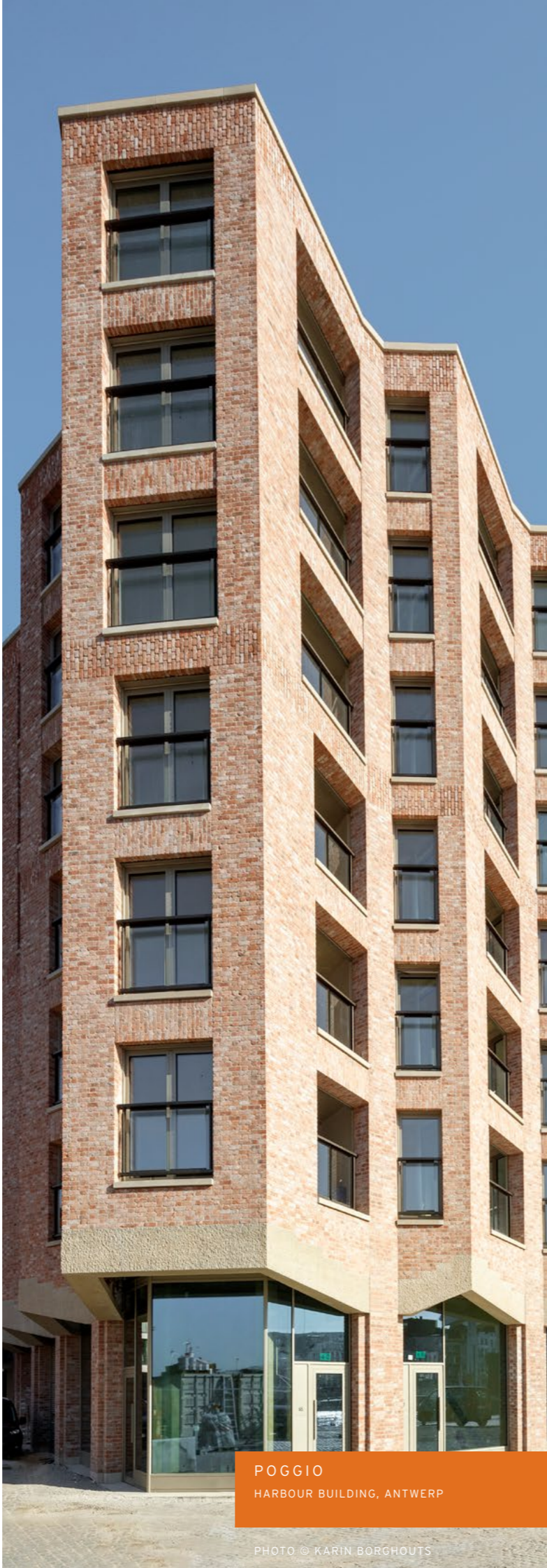
For a simplified approach to specification for prefabrication, the Reflections collection of products can also be cut in half by Michelmersh's in-house expert team at FabSpeed.

The FabSpeed brand also produces a pro-clad facade system and complimentary pro-steel bolt up solutions for all your bespoke brickwork detailing needs. By coupling the Reflections collections with an arch or fenestration facade component from FabSpeed, the Michelmersh Group could make your off-site construction project simpler.

Make your brick building truly unique with Michelmersh.

\*Other sizes available:

Traditional	215x102x65 mm	RV	180x85x50 mm
BNF	240x115x71 mm	WF	210x100x50 mm
M50	190x90x50 mm	WDF	210x100x65 mm
M65	190x90x65 mm		



POGGIO  
HARBOUR BUILDING, ANTWERP

PHOTO © KARIN BORGHOUTS



POGGIO

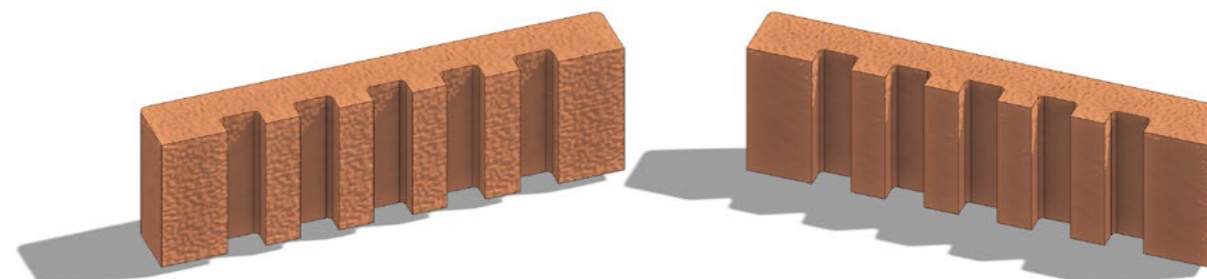
\*Other sizes available: Traditional, RV, M65, WDF, BMF



ROSSO

\*Other sizes available: Traditional, RV, M50, M65, WF, WDF

Michelmersh's 'Reflections' collection of double-faced clay bricks is the perfect choice for specifiers seeking a cost-effective, sustainable, versatile and elegant product range solution for any project.



Please note that whilst these products can be used as whole facing bricks their reduced depth means that they do not fit usual UK design and bonding conventions and will require specific engineering calculations for building and brickwork. As such this range is currently offered as an alternative solution to cutting full sized bricks whilst obtaining two faces from one unit.

	Dimensional tolerance	Dimensional range	Durability against freeze/thaw	Active soluble salts content	Gross dry density	Compressive strength (minimum)	Water absorption	Thermal conductivity	Dimensions (in mm)
REFLECTIONS COLLECTION	T2	R2	F2	S2	1700 kg/m <sup>3</sup>	40 N/mm <sup>2</sup>	Less than 10%	0.55 (50%) W/m.K 0.63 (90%) W/m.K	215 x 65 x 65



ENHANCING

# our built environment

FOR GENERATIONS TO COME

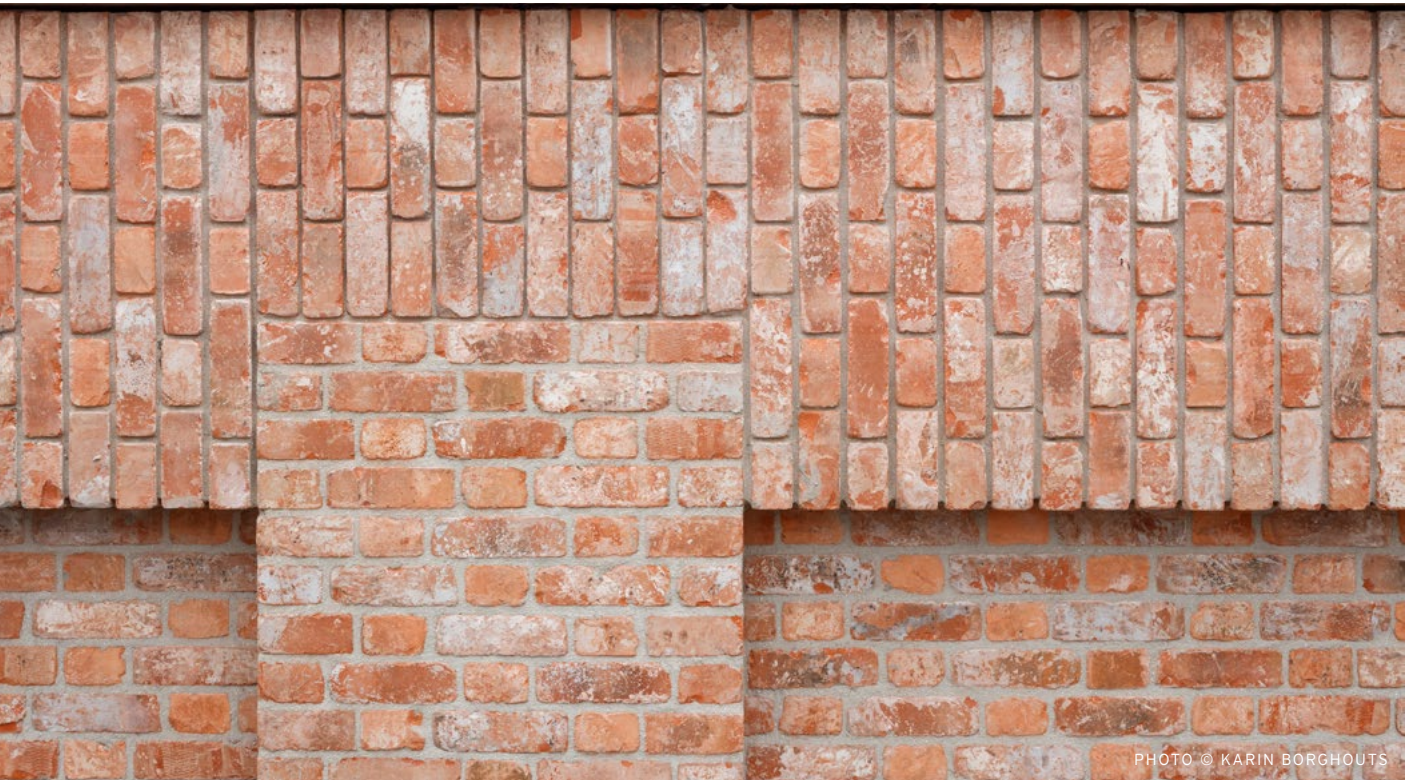


PHOTO © KARIN BORGHOUTS

Michelmersh Brick Holdings PLC strives to be a well invested, long term, sustainable and environmentally responsible business. We aim to lead the way in producing some of Britain's premium clay products and enhancing our built environment by adding value to the architectural landscape for generations to come.



**MICHELMERSH**  
Britain's Brick Specialists

**Michelmersh Brick Holdings PLC**  
Freshfield Lane, Danehill  
Haywards Heath  
Sussex RH17 7HH

Tel: 0844 931 0022  
Fax: 0844 931 0021  
sales@mbhplc.co.uk  
www.mbhplc.co.uk